

Access Panel



XINCHANG FENGZE MACHINERY CO.,LTD
No.277,Houxi,Xinchang,Zhejiang

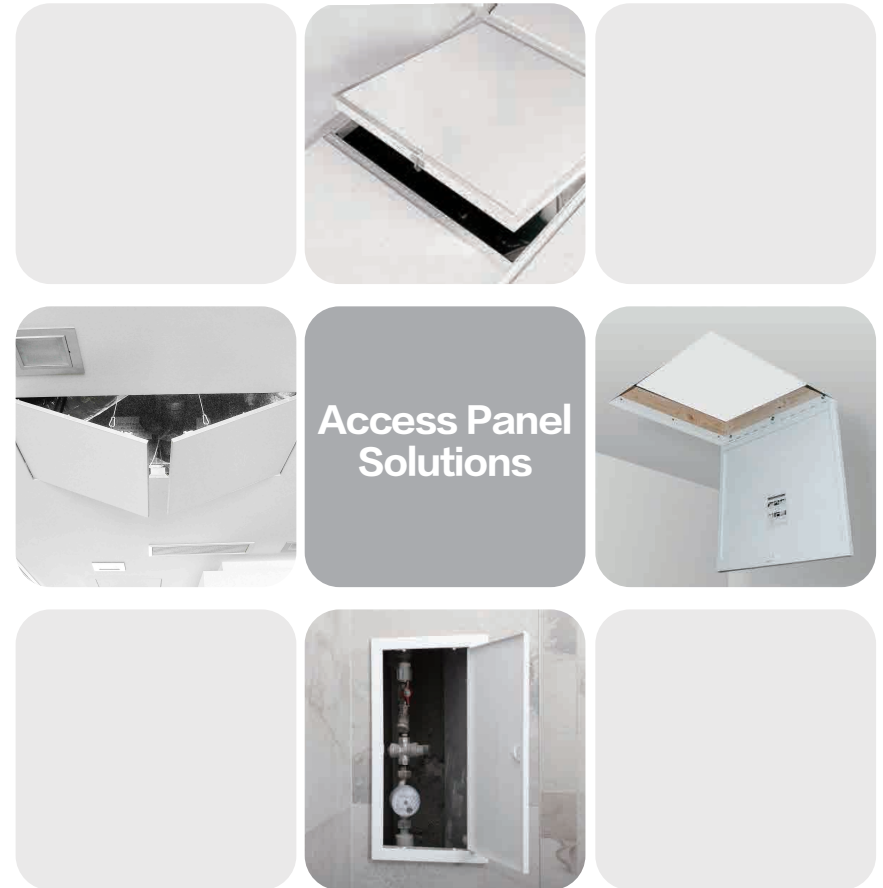
TEL: 0086-575-86228266 FAX: 0086-575-86228266
Website: www.access-panel-solutions.com
MAIL: sales@highsky-group.com



Fengze website



Wechat number



XINCHANG FENGZE MACHINERY CO.,LTD
ACCESS PANELS FOR CEILINGS & WALLS

Information Pages

- 05 **Fire Rated Access Panels**
metal series
picture frame
- 06 **Fire Rated Access Panels**
metal series
beaded frame
- 07 **Fire Rated Access Panels**
plasterboard series
- 08 **Non Fire Rated Access Panels**
plasterboard series
- 09 **Non Fire Rated Access Panels**
metal series
picture frame
- 10 **Non Fire Rated Access Panels**
metal series
beaded frame
- 11 **Non Fire Rated Access Panels**
economic panel with cam lock
- 12 **Non Fire Rated**
economic panel with push catch
- 13 **Aluminum Frame Access Panels**
- 14 **Plastic Access Panels**
- 15-16 **Access Door**
- 17-18 **Application Cases**

1 hour fire rating 

indicates a non fire rated product or zero rated option 

beaded frame(BF) 

picture frame(PF) 

budget lock 

3 point lock T bar key 

push catch 

suitable to roller paint to match surround(as desired) 



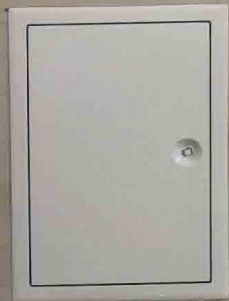
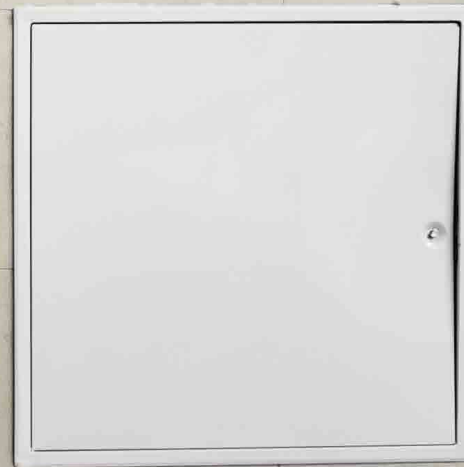
ABOUT US

XINCHANG FENGZE MACHINERY CO.,LTD. is a professional manufacturer of access panels, access doors & accessories are suitable for use in drywall partitions & suspended ceiling systems, fast & simple to install while giving a seamless aesthetic finish. Ideal when access to mechanical or electrical services is required.

The main products are metal series (fire rated and non-fire rated), plasterboard series & ABS plastic series. 100% for exporting over a decade. Standard & bespoke access products designed & manufactured to meet the most demanding from the world. We are continually looking to expand our access products supply & sales network. Contact our team for opportunities to become a global partnership & work together for win-win success business.

Application Cases

Contact Our Team For Opportunities To
Become A Global Partner & Join In Our Success



ACCESS PANELS

— fire rated for ceiling&walls

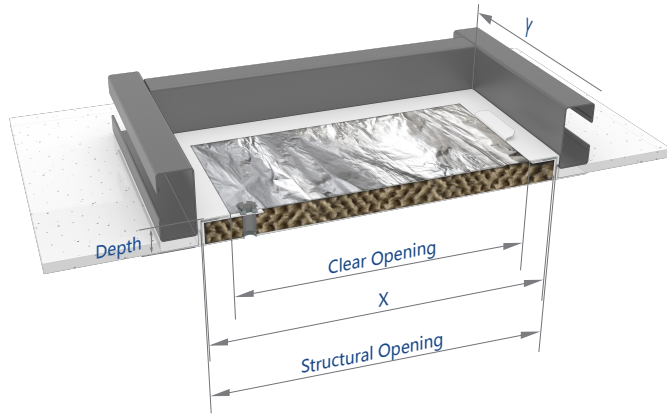


FEATURES & OPTIONS



SPECIFICATION

- 1hour fire rated(1FR)option
- Picture Frame(PF)
- Manufactured to order
- 1.2mm zintec steel
- CNC manufactured to ISO9001:2015
- Budget Lock
- Frame options to suit finishing requirements
- Compression seal gasket
- Fully matt powder coated, suitable for finishing on site
- Anti-bacterial specialist coating option
- Acoustic 32dB



Part No.	Standard size(mm&inch)		Structural opening	X&Y(mm)	Clear opening	Depth (mm)
FZFR2020PF	200x200	8x8	205x205	200x200	140x150	45
FZFR3030PF	300x300	12x12	305x305	300x300	240x250	45
FZFR3060PF	300*600	12x24	305x605	300x600	240x550	45
FZFR4545PF	450x450	18x18	455x455	450x450	390x400	45
FZFR5555PF	550x550	22x22	555x555	550x550	490x500	45
FZFR6060PF	600x600	24x24	605x605	600x600	540x550	45
FZFR6090PF	600x900	24x36	605x905	600x900	540x850	45
FZFR9090PF	900x900	36x36	905x905	900x900	840x850	45
FZFR60120PF	600x1200	24x48	605x1205	600x1200	540x1155	45

Bespoke sizes upon request

ACCESS PANELS

— fire rated for ceiling&walls

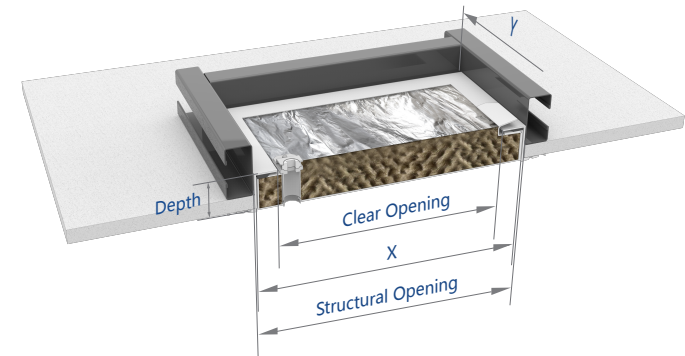


FEATURES & OPTIONS



SPECIFICATION

- 1hour fire rated(1FR)option
- Beaded Frame(BF)
- Manufactured to order
- 1.2mm zintec steel
- CNC manufactured to ISO9001:2015
- Budget Lock
- Frame options to suit finishing requirements
- Compression seal gasket
- Fully matt powder coated, suitable for finishing on site
- Anti-bacterial specialist coating option
- Acoustic 32dB

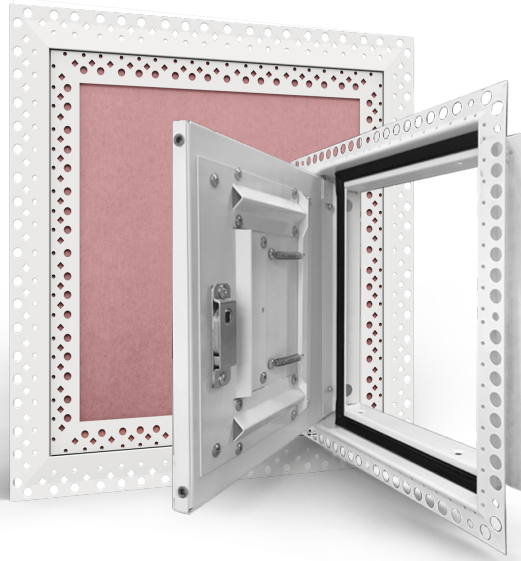


Part No.	Standard size(mm&inch)		Structural opening	X&Y(mm)	Clear opening	Depth (mm)
FZFR2020BF	200x200	8x8	205x205	200x200	140x150	45
FZFR3030BF	300x300	12x12	305x305	300x300	240x250	45
FZFR3060BF	305x605	12x24	305x605	300x600	240x550	45
FZFR4545BF	450x450	18x18	455x455	450x450	390x400	45
FZFR5555BF	550x550	22x22	555x555	550x550	490x500	45
FZFR6060BF	600x600	24x24	605x605	600x600	540x550	45
FZFR6090BF	600x900	24x36	605x905	600x900	540x850	45
FZFR9090BF	900x900	36x36	905x905	900x900	840x850	45
FZFR60120BF	600x1200	24x48	605x1205	600x1200	540x1155	45

Bespoke sizes upon request

ACCESS PANELS

— fire rated for ceiling&walls

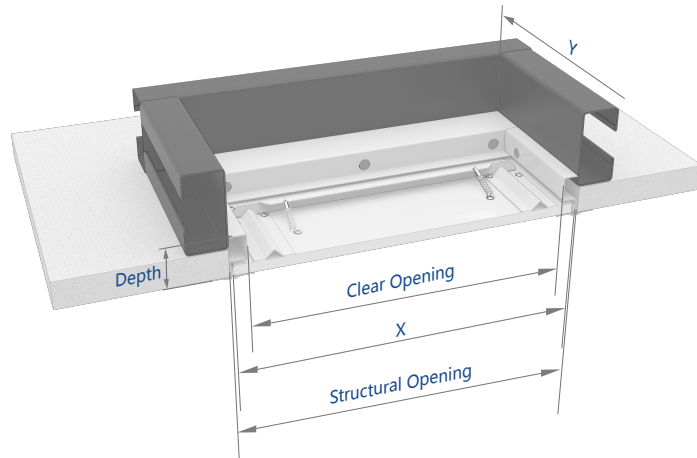


FEATURES & OPTIONS



SPECIFICATION

- 1hour fire rated(1FR)option
- Beaded Frame(BF)
- Manufactured to order
- 1.2mm zintec steel
- CNC manufactured to ISO9001:2015
- Budget Lock
- Frame options to suit finishing requirements
- Compression seal gasket
- Fully matt powder coated,suitable for finishing on site
- Anti-bacterial specialist coating option
- Plasterboard series
- 12mmgypsum board



Part No.	Standard size(mm&inch)		Structural opening	X&Y(mm)	Clear opening	Depth (mm)
FZPB3030FR	300x300	12x12	305x305	300x300	200*255	55
FZPB4545FR	450x450	18x18	455x455	450x450	380*410	55
FZPB6060FR	600x600	24x24	605x605	600x600	450*505	55

Bespoke sizes upon request

ACCESS PANELS

— non fire rated for ceiling&walls

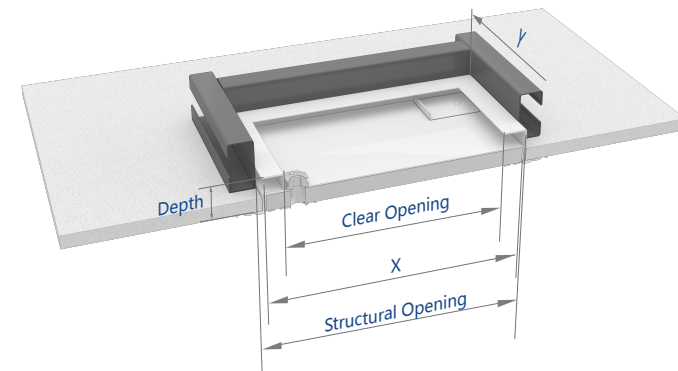


FEATURES & OPTIONS



SPECIFICATION

- non fire rated option
- Beaded Frame(BF)
- Manufactured to order
- 1.2mm zintec steel
- CNC manufactured to ISO9001:2015
- Budget Lock
- Frame options to suit finishing requirements
- Compression seal gasket
- Fully matt powder coated,suitable for finishing on site
- Anti-bacterial specialist coating option
- Plasterboard series
- 12mmgypsum board



Part No.	Standard size(mm&inch)		Structural opening	X&Y(mm)	Clear opening	Depth (mm)
FZPB3030NFR	300x300	12x12	305x305	300x300	200x250	55
FZPB3060NFR	300x600	12x24	305x605	300x600	240x550	55
FZPB4545NFR	450x450	18x18	455x455	450x450	390x400	55
FZPB5555NFR	550x550	22x22	555x555	550x550	490x500	55
FZPB6060NFR	600x600	24x24	605x605	600x600	540x550	55

Bespoke sizes upon request

ACCESS PANELS

— non fire rated for ceiling&walls

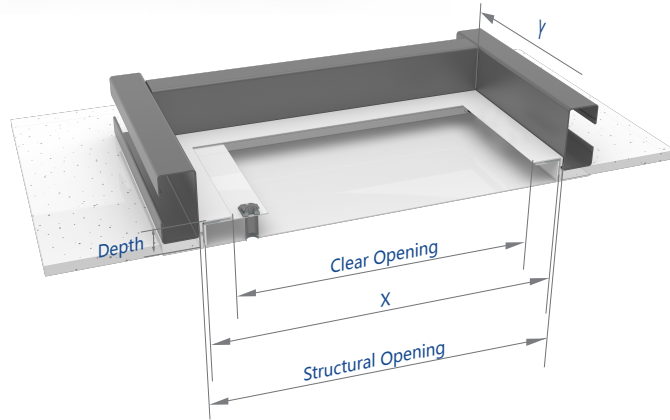


FEATURES & OPTIONS



SPECIFICATION

- non fire rated option
- Picture Frame(PF)
- Manufactured to order
- 1.2mm zintec steel
- CNC manufactured to ISO9001:2015
- Budget Lock
- Frame options to suit finishing requirements
- Compression seal gasket
- Fully matt powder coated,suitable for finishing on site



Part No.	Standard size(mm&inch)		Structural opening	X&Y(mm)	Clear opening	Depth (mm)
FZNF2020PF	200x200	8x8	205x205	200x200	140x150	35
FZNF3030PF	300x300	12x12	305x305	300x300	240x250	35
FZNF3060PF	300x600	12x24	305x605	300x600	240x550	35
FZNF4545PF	450x450	18x18	455x455	450x450	390x400	35
FZNF5555PF	550x550	22x22	555x555	550x550	490x500	35
FZNF6060PF	600x600	24x24	605x605	600x600	540x550	35
FZNF6090PF	600x900	24x36	605x905	600x900	540x850	35
FZNF9090PF	900x900	36x36	905x905	900x900	840x850	35
FZNF60120PF	600x1200	24x48	605x1205	600x1200	540x1155	35

Bespoke sizes upon request

ACCESS PANELS

— non fire rated for ceiling&walls

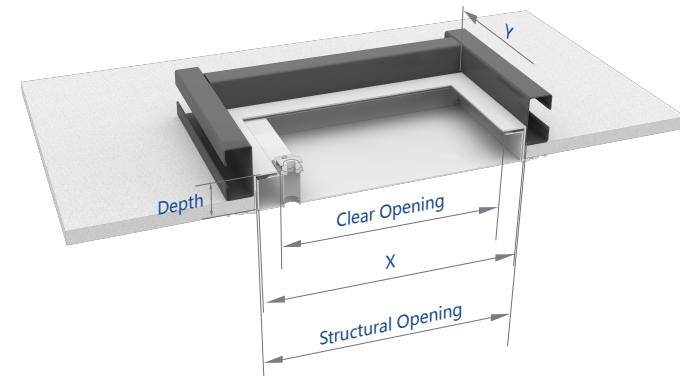


FEATURES&OPTIONS



SPECIFICATION

- non fire rated option
- Beaded Frame(BF)
- Manufactured to order
- 1.2mm zintec steel
- CNC manufactured to ISO9001:2015
- Budget Lock
- Frame options to suit finishing requirements
- Compression seal gasket
- Fully matt powder coated,suitable for finishing on site



Part No.	Standard size(mm&inch)		Structural opening	X&Y(mm)	Clear opening	Depth (mm)
FZNF2020BF	200x200	8x8	205x205	200x200	140x150	35
FZNF3030BF	300x300	12x12	305x305	300x300	240x250	35
FZNF3060BF	300x600	12x24	305x605	300x600	240x550	35
FZNF4545BF	450x450	18x18	455x455	450x450	390x400	35
FZNF5555BF	550x550	22x22	555x555	550x550	490x500	35
FZNF6060BF	600x600	24x24	605x605	600x600	540x550	35
FZNF6090BF	600x900	24x36	605x905	600x900	540x850	35
FZNF9090BF	900x900	36x36	905x905	900x900	840x850	35
FZNF60120BF	600x1200	24x48	605x1205	600x1200	540x1155	35

Bespoke sizes upon request

ACCESS PANELS

— non fire rated for ceiling&walls



FEATURES&OPTIONS

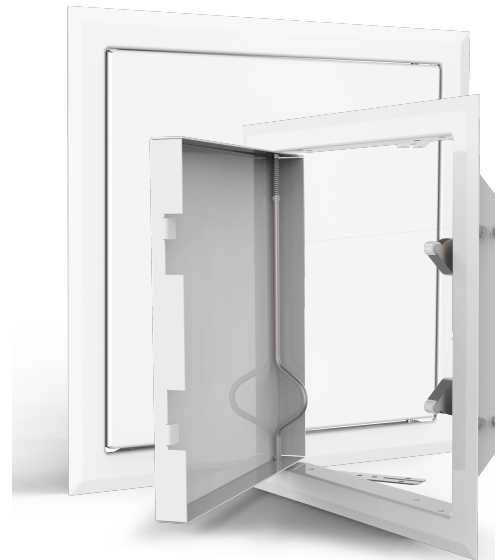


SPECIFICATION

- non fire rated option
- Picture Frame(PF)
- Manufactured to order
- 0.8mm zintec steel
- CNC manufactured to ISO9001:2015
- Fully matt powder coated,suitable for finishing on site

ACCESS PANELS

— non fire rated for ceiling&walls

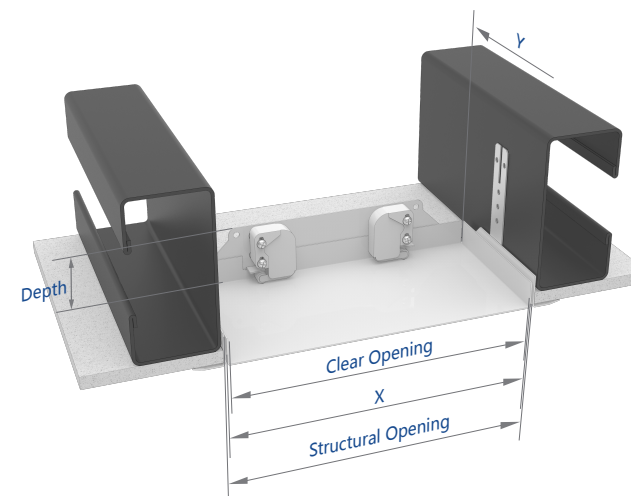
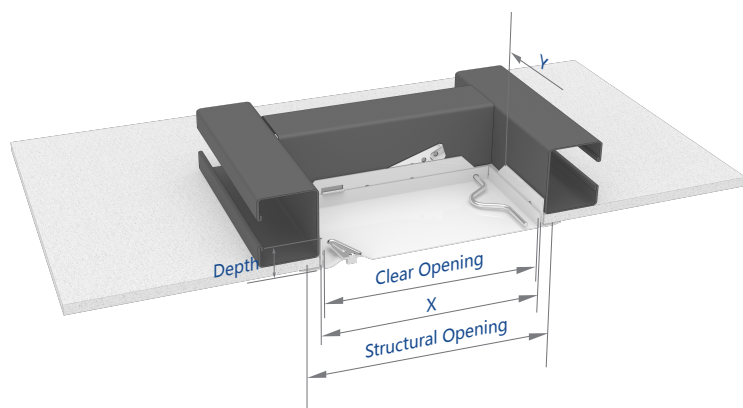


FEATURES&OPTIONS



SPECIFICATION

- non fire rated option
- Picture Frame(PF)
- Manufactured to order
- 0.8mm zintec steel
- CNC manufactured to ISO9001:2015
- push catch
- Fully matt powder coated,suitable for finishing on site



Part No.	Standard size(mm&inch)		Structural opening	X&Y(mm)	Clear opening	Depth (mm)
FZEC2020CL	200x200	8x8	205x205	200x200	160x190	35
FZEC3030CL	300x300	12x12	305x305	300x300	260x290	35
FZEC4040CL	400x400	16x16	405x405	400x400	360x390	35
FZEC5050CL	500x500	20X20	505x505	500x500	460x490	35
FZEC6060CL	600x600	24x24	605x605	600x600	560x590	35

Bespoke sizes upon request

Part No.	Standard size(mm&inch)		Structural opening	X&Y(mm)	Clear opening	Depth (mm)
FZEC2020PC	200x200	8x8	205x205	200x200	160x190	35
FZEC3030PC	300x300	12x12	305x305	300x300	260x290	35
FZEC4040PC	400x400	16x16	405x405	400x400	360x390	35
FZEC5050PC	500x500	20X20	505x505	500x500	460x490	35
FZEC6060PC	600x600	24x24	605x605	600x600	560x590	35

Bespoke sizes upon request

ACCESS PANELS

— non fire rated for ceiling&walls

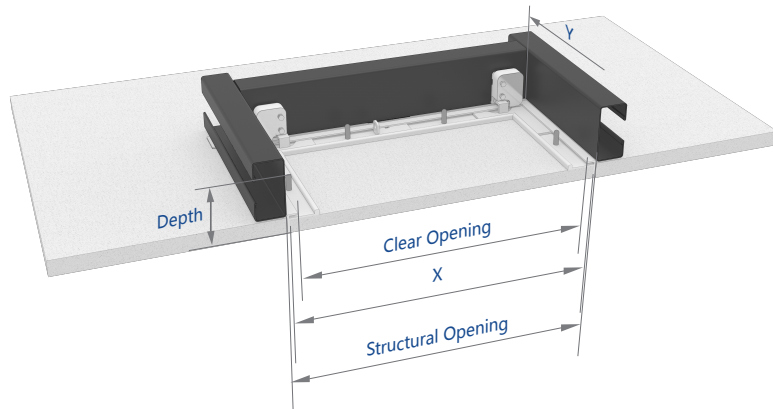


FEATURES&OPTIONS



SPECIFICATION

- non fire rated option
- PUSH CATCH
- Manufactured to order
- CNC manufactured to ISO9001:2015
- Frame options to suit finishing requirements
- Fully matt powder coated, suitable for finishing on site
- aluminum frame
- gypsum board: ordinary style(grey)
- fireproof(red)
- waterproof(green)



Part No.	Standard size(mm&inch)	Structural opening	X&Y(mm)	Clear opening	Depth (mm)	
FZNF3030AP	300x300	12x12	305x305	300x300	285*295	55
FZNF4040AP	400x400	16x16	405x405	400x400	385*395	55
FZNF4545AP	450x450	18x18	455x455	450x450	440*450	55
FZNF5555AP	550x550	22x22	555x555	550x550	510*520	55
FZNF6060AP	600x600	24x24	605x605	600x600	585*595	55

Bespoke sizes upon request

ACCESS PANELS

— non fire rated for ceiling&walls

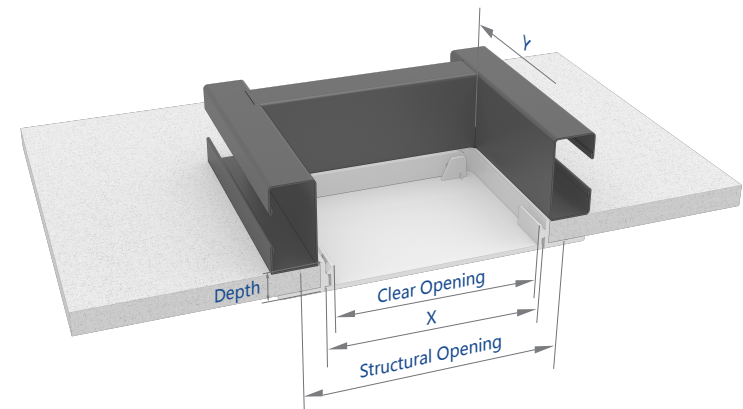


FEATURES&OPTIONS



SPECIFICATION

- non fire rated option
- colour white with light textured surface
- Manufactured to order
- For ceilings and walls
- Passive hinge with press to fastening
- plastic frame(ABS)
- can be painted on site to suit



Part No.	Standard size(mm&inch)	Structural opening	X&Y(mm)	Clear opening	Depth (mm)	
FZNF1015PP	100x150	4x6	105*155	100x150	70*140	25
FZNF1522PP	150x225	6x9	155*230	150x225	115*215	25
FZNF2020PP	200x200	8x8	205x205	200x200	170*190	25
FZNF3030PP	300x300	12x12	305x305	300x300	270*290	25
FZNF3535PP	350x350	14x14	355*355	350x350	320*340	25
FZNF4545PP	450x450	18x18	455*455	450x450	410*440	25

Bespoke sizes upon request

Access Door

— fire rated

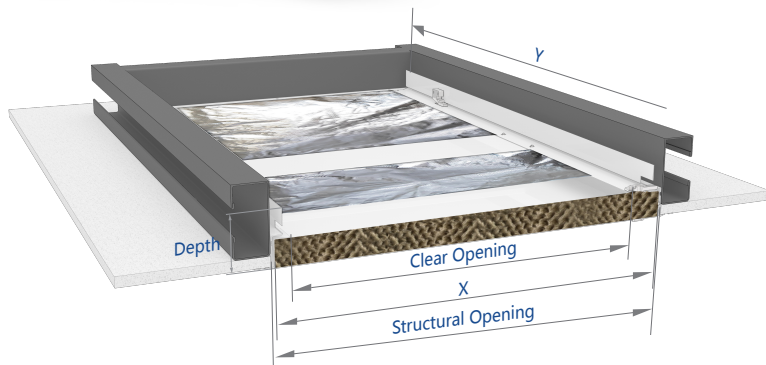


FEATURES&OPTIONS



SPECIFICATION

- 1hour fire rated(1FR)option
- Picture Frame(PF)
- Manufactured to order
- 1.2mm zintec steel
- CNC manufactured to ISO9001:2015
- Budget Lock
- Frame options to suit finishing requirements
- Compression seal gasket
- Fully matt powder coated,suitable for finishing on site
- Anti-bacterial specialist coating option



Part No.	Standard size(mm&inch)		Structural opening	X&Y(mm)	Clear opening	Depth (mm)
ADFR1880580PF	580x1880	23x74	585*1885	580x1880	524*1824	45
ADFR1600600PF	600x1600	24x63	605*1605	600x1600	544*1544	45
ADFR1700600PF	600x1700	24x67	605*1705	600x1700	544*1644	45
ADFR1700680PF	680x1700	27x67	685*1705	680x1700	624*1644	45
ADFR1880680PF	680x1880	27x74	685*1885	680x1880	624*1824	45
ADFR1800810PF	810x1800	32x71	815*1805	810x1800	754*1744	45
ADFR1950810PF	810x1950	32x77	815*1955	810x1950	754*1894	45
ADFR1950910PF	910x1950	36x77	915*1955	910x1950	854*1894	45

Bespoke sizes upon request

Access Door

— non fire rated

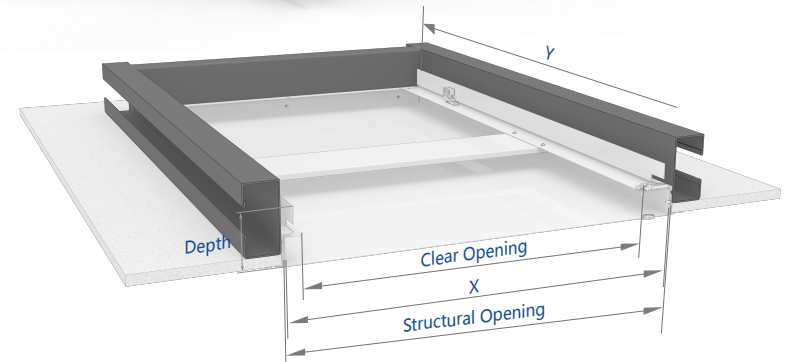


FEATURES&OPTIONS



SPECIFICATION

- Beaded Frame(BF)
- Manufactured to order
- 1.2mm zintec steel
- CNC manufactured to ISO9001:2015
- Budget lock+push catch
- Budget Lock
- Frame options to suit finishing requirements
- Fully matt powder coated,suitable for finishing on site
- Anti-bacterial specialist coating option



Part No.	Standard size(mm&inch)		Structural opening	X&Y(mm)	Clear opening	Depth (mm)
ADNF1880580BF	580x1880	23x74	585*1885	580x1880	524*1824	45
ADNF1600600BF	600x1600	24x63	605*1605	600x1600	544*1544	45
ADNF1700600BF	600x1700	24x67	605*1705	600x1700	544*1644	45
ADNF1700680BF	680x1700	27x67	685*1705	680x1700	624*1644	45
ADNF1880680BF	680x1880	27x74	685*1885	680x1880	624*1824	45
ADNF1800810BF	810x1800	32x71	815*1805	810x1800	754*1744	45
ADNF1950810BF	810x1950	32x77	815*1955	810x1950	754*1894	45
ADNF1950910BF	910x1950	36x77	915*1955	910x1950	854*1894	45

Bespoke sizes upon request

Spare Parts



Part No	Size	Material
FZX15	budget lock key	plastic black



Part No	Size	Material
FZX14	collar and bungs	plastic white



Part No	Size	Material
FZX21	budget lock key	steel zinc plating



Part No	Size	Material
FZX13	bungs	plastic



Part No	Size	Material
FZX27	push catch fitting	steel zinc plating



Part No	Size	Material
FZX01	budget lock	steel zinc plating



Part No	Size	Material
FZX29	push catch body	steel zinc plating



Part No	Size	Material
FZX10	safety wire	stainless steel



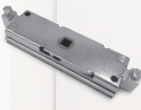
Part No	Size	Material
FZX08	cylinder	brass



Part No	Size	Material
FZX31	3 point lock high security	steel zinc plating



Part No	Size	Material
FZX06	2 point lock	steel zinc plating



Part No	Size	Material
FZX32	3 point lock T key	steel zinc plating



Part No	Size	Material
FZX20	hinge	steel nickel plating



Part No	Size	Material
FZX30	3 point lock high security	steel zinc plating

